

BENINCA[®]

TECHNOLOGY TO OPEN



superteknik.com

Foresta Business Loft 2 No. 7 BSD City Jl. BSD Raya Utama Kec.

Pagedangan Tangerang – Banten

info@superteknik.com



BOB5024E

Irreversible 24 Vdc electromechanical geared motor for swing gates up to 5.0 m

www.beninca.com



BOB5024E

BENINCA[®]
TECHNOLOGY TO OPEN

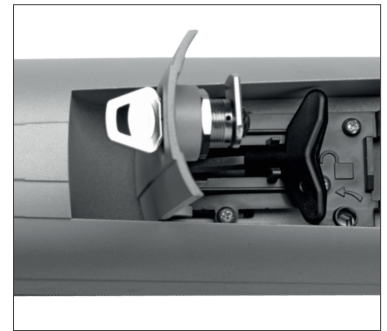
Irreversible 24 Vdc electromechanical geared motor for intensive use, equipped with encoder.

Reliable, quiet, and quick to install geared motor, thanks to its 2 adjustable mechanical stops for opening and closing.



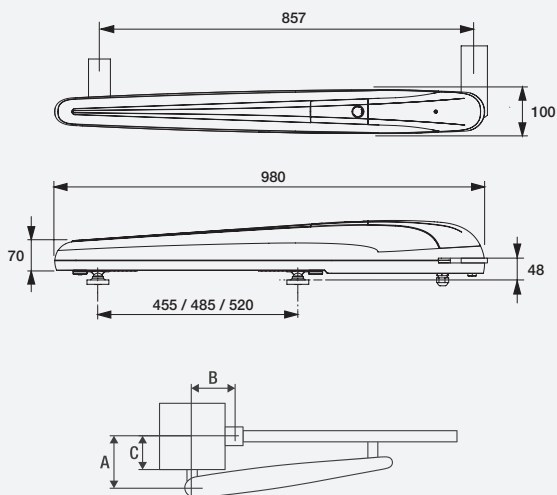
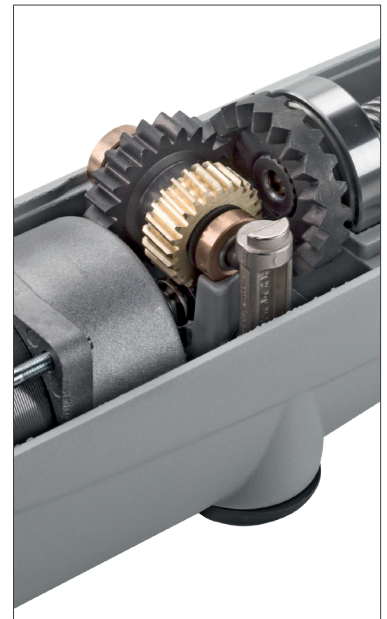
The encoder device ensures maximum safety and precision in the gate moving phases.

Optional battery powered operation.



Easy access release from above.

patented FACE gears full metal mechanics gear and female screw in bronze. Rolled ball screws Ø 20 mm.



TECHNICAL DATA

Power supply	230 Vac (50-60Hz)
Motor supply	24 Vdc
Max absorbed current	6,7 A
Max Thrust	2200 N
Opening time	21"
Operation cycle	intensive use
Standard stroke	455 mm
Max stroke	520 mm
Protection level	IP44
Encoder	YES
Operating temperature	-20°C /+50°C
Leaf max dimension	5 m
Weight	11,6 kg
Items no. per pallet	40

A (mm)	B (mm)	C (mm)
150-225	150-225	90-155